

# LM4570

## Single-Ended Input Motor Driver

### General Description

The LM4570 is a single supply motor driver for improved sensory experience in mobile phones and other handheld devices. The LM4570 is capable of driving up to 192mA while operating from a 3V supply. Near rail-to-rail output swing under load ensures sufficient voltage drive for most DC motors, while the differential output drive allows the voltage polarity across the motor to be reversed quickly. Reversing the voltage gives the LM4570 the ability to drive a motor both clock-wise and counter clock-wise from a single supply.

The LM4570 features fast turn on time, and a wide input voltage range for precise speed control. A low power shutdown mode minimizes power consumption.

Thermal and output short circuit protection prevents the device from being damaged during fault conditions.

### Key Specifications

■ High Output Current @ $V_{DD} = 3V$	192mA
■ Fast Turn On Time @ 3V	2.4ms
■ Quiescent Power Supply Current @ 3V	1.9mA
■ Shutdown Current	0.1 $\mu$ A (typ)

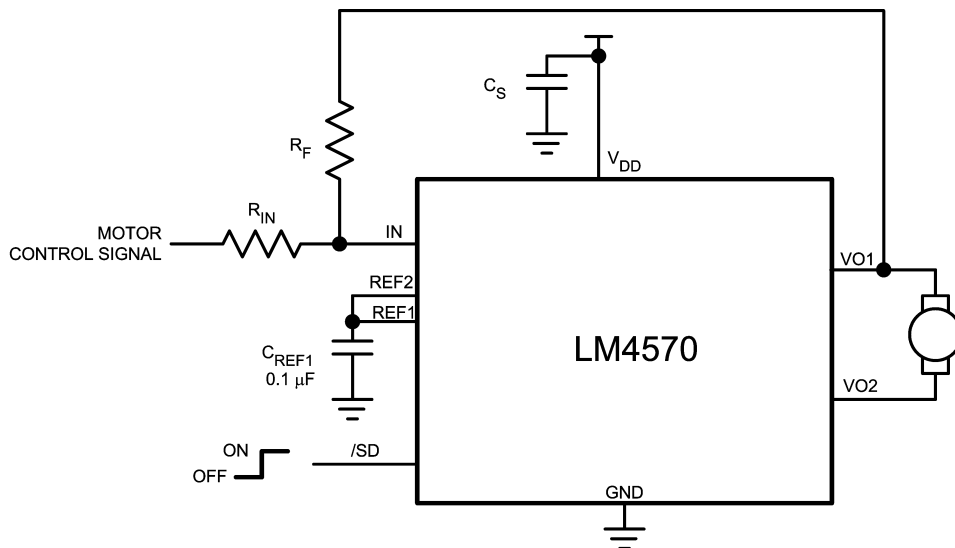
### Features

- Output Short Circuit Protection
- High Output Current Capability
- Wide Output Voltage Range
- Fast Turn on Time
- Output Short Circuit Protection
- Low Power Shutdown Mode
- Minimum external components
- Available in space-saving LLP package

### Applications

- Mobile Phones
- PDAs
- Video Game Systems

### Typical Application

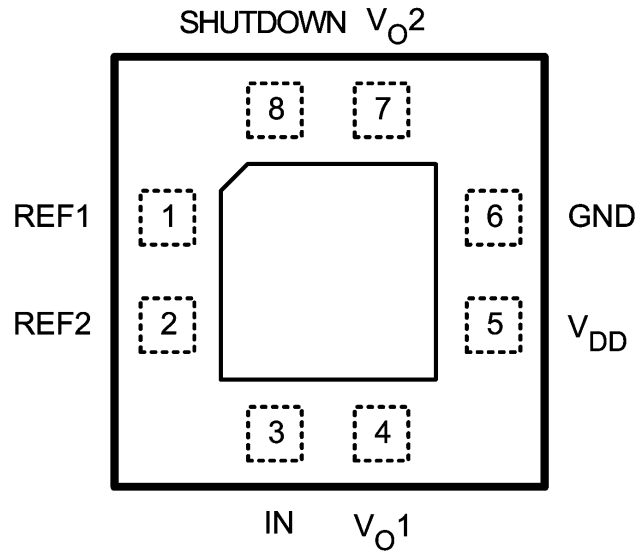


20186326

FIGURE 1. Typical Motor Driver Application Circuit

# Connection Diagrams

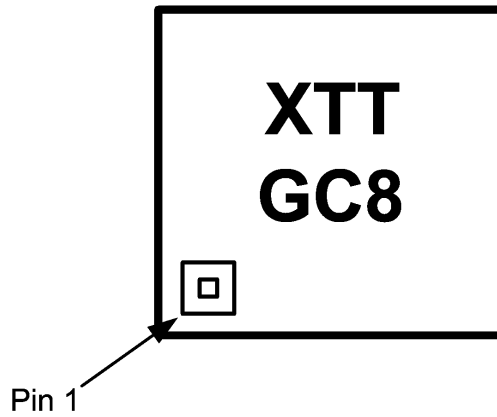
Leadless Leadframe Package (LLP)  
LQ Package



20186325

Top View  
Order Number LM4570LQ  
See NS Package Number LQB08A

LLP Marking



20186327

Top View  
X - One digit date code  
TT - Lot traceability  
G - Boomer Family  
C8 - LM4570LQ

**Absolute Maximum Ratings** (Note 2)

If Military/Aerospace specified devices are required, please contact the National Semiconductor Sales Office/Distributors for availability and specifications.

Supply Voltage (Note 1)	6.0V
Storage Temperature	-65°C to +150°C
Voltage at Any Input Pin	-0.3V ≥ to V <sub>DD</sub> +0.3V
Power Dissipation (Note 3)	Internally Limited
ESD Susceptibility (Note 4)	2000V
ESD Susceptibility (Note 5)	200V

Junction Temperature (T <sub>JMAX</sub> )	150°C
Thermal Resistance	
θ <sub>JA</sub> (LLP)	140°C/W

**Operating Ratings**

Temperature Range	-40°C ≤ T <sub>A</sub> ≤ 85°C
T <sub>MIN</sub> ≤ T <sub>A</sub> ≤ T <sub>MAX</sub>	
Supply Voltage	2.4V ≤ V <sub>DD</sub> ≤ 5.5V

**Electrical Characteristics V<sub>DD</sub> = 5V** (Notes 1, 2)

The following specifications apply for V<sub>DD</sub> = 5V, A<sub>V-BTL</sub> = 6dB unless otherwise specified. Limits apply for T<sub>A</sub> = 25°C.

Symbol	Parameter	Conditions	LM4570		Units (Limits)
			Typical	Limit	
			(Note 6)	(Notes 7, 8)	
I <sub>DD</sub>	Quiescent Power Supply Current	V <sub>IN</sub> = 0V, I <sub>L</sub> = 0A, No Load	2.5	5.5	mA (max)
		V <sub>IN</sub> = 0V, I <sub>L</sub> = 0A, R <sub>L</sub> = 30Ω	2.6	5.5	
I <sub>SD</sub>	Shutdown Current	V <sub>SD</sub> = GND	0.1	1.5	μA (max)
V <sub>IH</sub>	Logic Input High			1.4	V (min)
V <sub>IL</sub>	Logic Input Low			0.4	V (max)
V <sub>OS</sub>	Output Offset Voltage		5	±35	mV (max)
I <sub>OUT</sub>	Output Current	V <sub>OH</sub> , V <sub>OL</sub> ≤ 250mV	268		mA
T <sub>WU</sub>	Wake-up time		2.5		ms (max)
V <sub>OH</sub>	Output High Voltage	R <sub>L</sub> = 30Ω specified as  V <sub>DD</sub> - V <sub>OH</sub>	146	200	mV (max)
V <sub>OL</sub>	Output Low Voltage	R <sub>L</sub> = 30Ω specified as  GND + V <sub>OH</sub>	106	200	mV (max)

**Electrical Characteristics V<sub>DD</sub> = 3V** (Notes 1, 2)

The following specifications apply for V<sub>DD</sub> = 3V, A<sub>V-BTL</sub> = 6dB unless otherwise specified. Limits apply for T<sub>A</sub> = 25°C.

Symbol	Parameter	Conditions	LM4570		Units (Limits)
			Typical	Limit	
			(Note 6)	(Notes 7, 8)	
I <sub>DD</sub>	Quiescent Power Supply Current	V <sub>IN</sub> = 0V, I <sub>L</sub> = 0A, No Load	1.9	4	mA (max)
		V <sub>IN</sub> = 0V, I <sub>L</sub> = 0A, R <sub>L</sub> = 30Ω	1.95	4	
I <sub>SD</sub>	Shutdown Current	V <sub>SD</sub> = GND	0.1	1.0	μA (max)
V <sub>IH</sub>	Logic Input High			1.4	V (min)
V <sub>IL</sub>	Logic Input Low			0.4	V (max)
V <sub>OS</sub>	Output Offset Voltage		5	±35	mV (max)
I <sub>OUT</sub>	Output Current	V <sub>OH</sub> , V <sub>OL</sub> ≤ 200mV	192		mA
T <sub>WU</sub>	Wake-up time		2.4		ms (max)
V <sub>OH</sub>	Output High Voltage	R <sub>L</sub> = 30Ω specified as  V <sub>DD</sub> - V <sub>OH</sub>	90	110	mV (max)
V <sub>OL</sub>	Output Low Voltage	R <sub>L</sub> = 30Ω specified as  V <sub>DD</sub> - V <sub>OH</sub>	63	110	mV (max)

**Note 1:** All voltages are measured with respect to the ground pin, unless otherwise specified.

**Note 2:** *Absolute Maximum Ratings* indicate limits beyond which damage to the device may occur. *Operating Ratings* indicate conditions for which the device is functional, but do not guarantee specific performance limits. *Electrical Characteristics* state DC and AC electrical specifications under particular test conditions which guarantee specific performance limits. This assumes that the device is within the Operating Ratings. Specifications are not guaranteed for parameters where no limit is given; however, the typical value is a good indication of device performance.

**Note 3:** The maximum power dissipation must be de-rated at elevated temperatures and is dictated by  $T_{JMAX}$ ,  $\theta_{JC}$ , and the ambient temperature  $T_A$ . The maximum allowable power dissipation is  $P_{DMAX} = (T_{JMAX} - T_A) / \theta_{JA}$  or the number given in the Absolute Maximum Ratings, whichever is lower. For the LM4570,  $T_{JMAX} = 150^\circ\text{C}$  and the typical  $\theta_{JA}$  for the LLP package is  $140^\circ\text{C/W}$ .

**Note 4:** Human body model, 100pF discharged through a 1.5k $\Omega$  resistor.

**Note 5:** Machine Model, 220pF–240pF discharged through all pins.

**Note 6:** Typicals are measured at  $25^\circ\text{C}$  and represent the parametric norm.

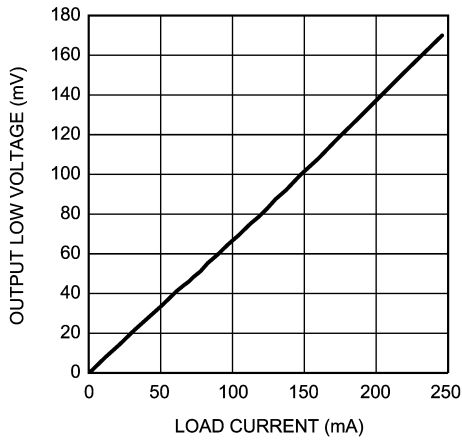
**Note 7:** Limits are guaranteed to National's AOQL (Average Outgoing Quality Level).

**Note 8:** Datasheet min/max specification limits are guaranteed by design, test, or statistical analysis.

**Note 9:** Shutdown current is measured in a normal room environment. Exposure to direct sunlight will increase  $I_{SD}$  by a maximum of  $2\mu\text{A}$ .

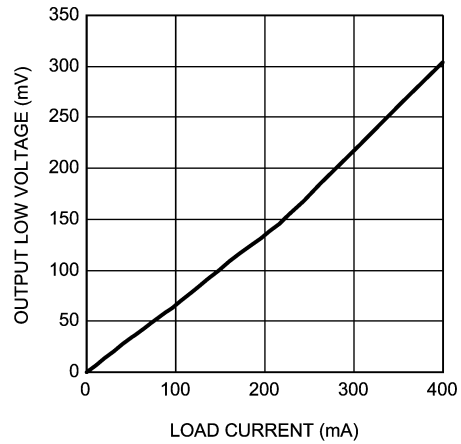
# Typical Performance Characteristics

**Output Low Voltage vs Load Current**  
 $V_{DD} = 3V$



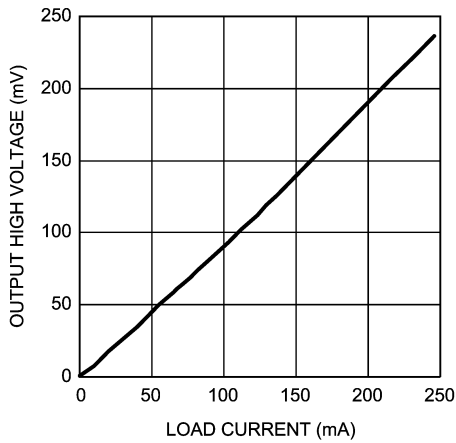
20186313

**Output Low Voltage vs Load Current**  
 $V_{DD} = 5V$



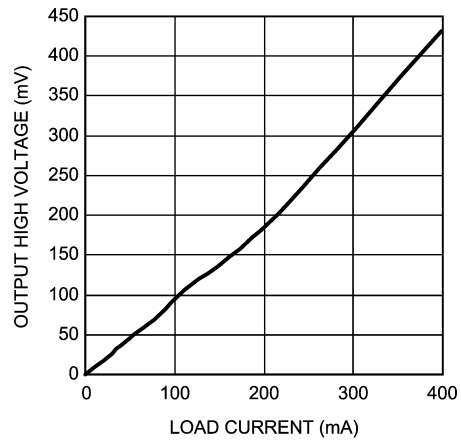
20186312

**Output High Voltage vs Load Current**  
 $V_{DD} = 3V$



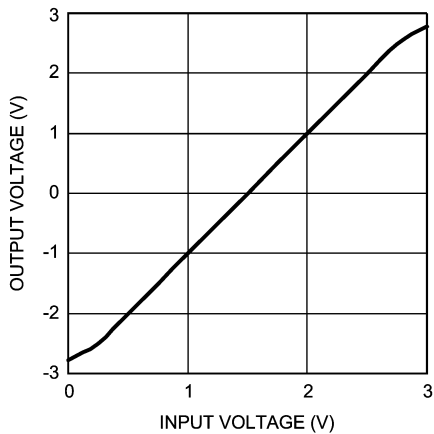
20186311

**Output High Voltage vs Load Current**  
 $V_{DD} = 5V$



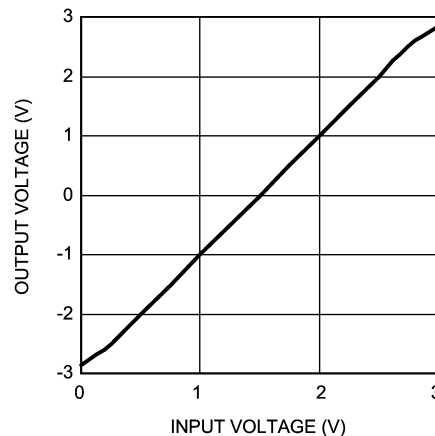
20186310

**Output Voltage vs Input Voltage**  
 $V_{DD} = 3V, R_L = 20\Omega$



20186314

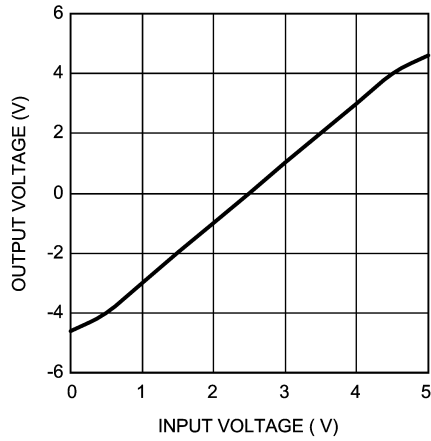
**Output Voltage vs Input Voltage**  
 $V_{DD} = 3V, R_L = 30\Omega$



20186315

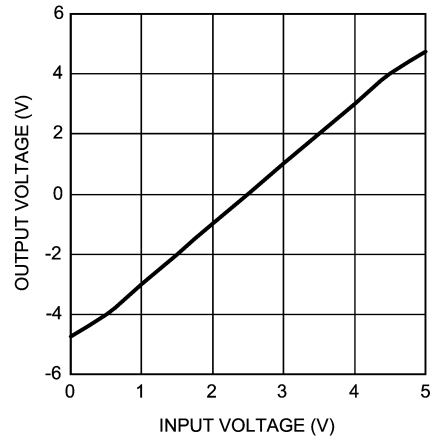
# Typical Performance Characteristics (Continued)

**Output Voltage vs Input Voltage**  
 $V_{DD} = 5V, R_L = 20\Omega$



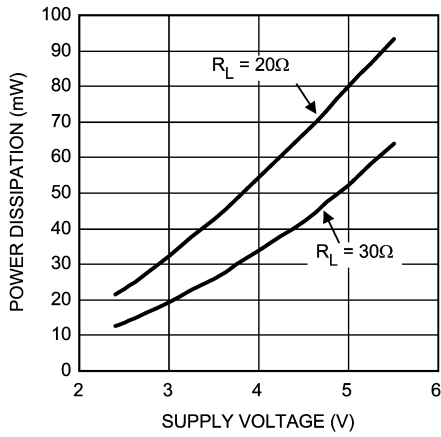
20186316

**Output Voltage vs Input Voltage**  
 $V_{DD} = 5V, R_L = 30\Omega$



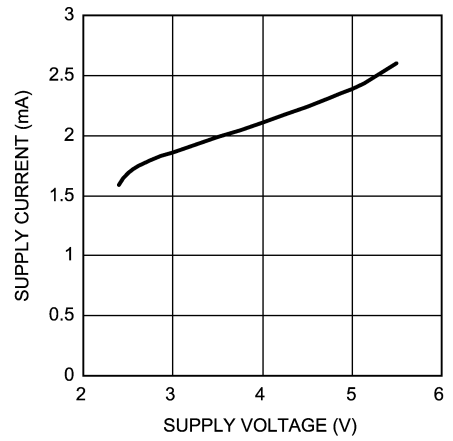
20186317

**Power Dissipation vs Supply Voltage**



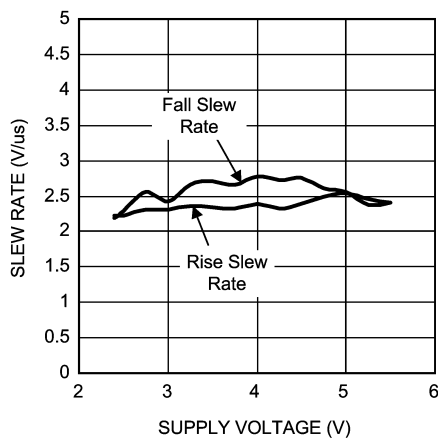
20186320

**Supply Current vs Supply Voltage**



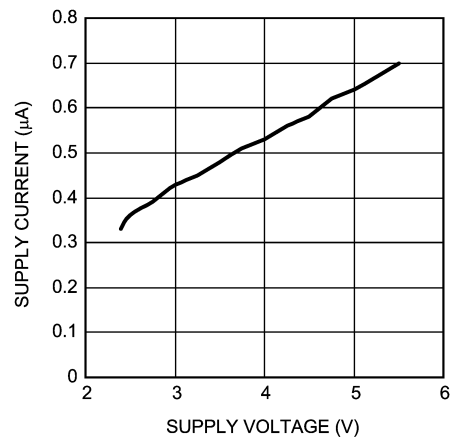
20186321

**Slew Rate vs Supply Voltage**  
 $R_L = 30\Omega$



20186319

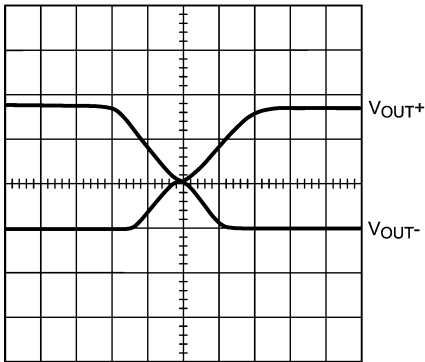
**Shutdown Supply Current vs Supply Voltage**



20186323

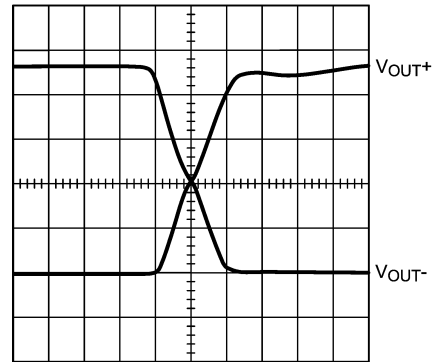
## Typical Performance Characteristics (Continued)

Output Transition High to Low, Low to High  
 $V_{DD} = 3V$ , 1V/div, 400ns/div



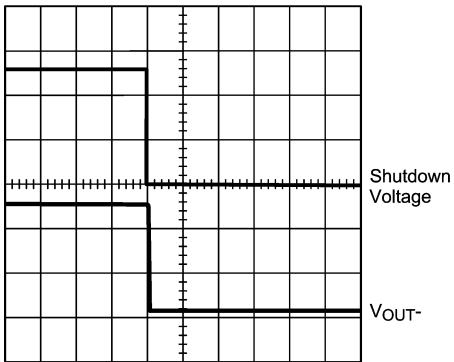
20186306

Output Transition High to Low, Low to High  
 $V_{DD} = 5V$ , 1V/div, 1 $\mu$ s/div



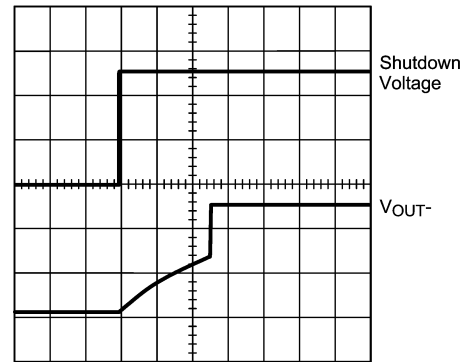
20186307

Turn-Off Time  
 $V_{DD} = 5V$ , 2V/div, 1ms/div



20186308

Turn-On Time  
 $V_{DD} = 5V$ , 2V/div, 1ms/div



20186309

## Application Information

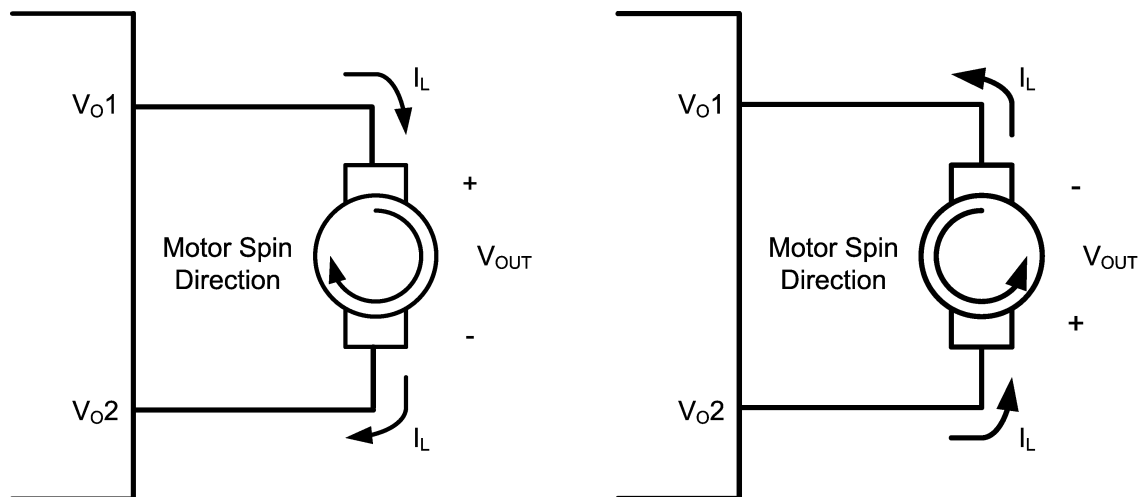
### BRIDGE CONFIGURATION EXPLANATION

The LM4570 uses a bridged architecture that drives a load differentially. The BTL design offers several advantages over a single-ended design. The the device outputs,  $V_{O1}$  and  $V_{O2}$ , both source and sink current, which means that the polarity of the voltage across the motor can be reversed quickly (Figure 2). A single-ended device would need to operate from split supplies to achieve this behavior. The ability to reverse the voltage polarity is necessary in applications where a negative (reverse polarity) pulse is used to quickly stop the motor. If the drive voltage is just removed from the motor (not reversed) then the motor will continue to spin until the residual energy stored in the windings has dissipated.

The output voltage of the LM4570 is determined by the difference between the input voltage and  $V_{REF1}$ , as well as the differential gain of the device. The output voltage is given by the following:

$$V_{O1} - V_{O2} = A_{VD}(V_{IN} - V_{REF1})$$

For input voltages that are less than the reference voltage, the differential output voltage is negative. For input voltages that are greater than the reference voltage, the differential output voltage is positive. For example, when operating from a 5V supply ( $V_{REF1} = 2.5V$ ) and with a differential gain of 6dB, with a 1V input, the voltage measured across  $V_{O1}$  and  $V_{O2}$  is -3V, with a 4V input, the differential output voltage is +3V.



20186302

FIGURE 2. Voltage Polarity and Motor Direction



## Application Information (Continued)

### GAIN SETTING

The resistors  $R_{IN}$  and  $R_F$  set the gain of the LM4570, given by:

$$V_{VD} = 2 \times (R_F / R_{IN})$$

Where  $A_{VD}$  is the differential gain.  $A_{VD}$  differs from single-ended gain by a factor of 2. This doubling is due to the differential output architecture of the LM4570. Driving the load differentially doubles the output voltage compared to a single-ended output amplifier under the same conditions.

### POWER DISSIPATION

The Power Dissipation vs. Supply Voltage graph in the Operating Curves section shows the power dissipation of the

LM4570 with the input equal to the supply voltage, meaning the outputs swing rail-to-rail. This configuration results in the output devices of the LM4570 operating in the linear region, essentially very small resistors determined by the  $R_{DS(ON)}$  of the output devices. Under these conditions, the power dissipation is dominated by the  $I \cdot R$  drop associated with the output current across the  $R_{DS(ON)}$  of the output transistors, thus the power dissipation is very low (60mW for a 800mW output).

When the input voltage is not equal to GND or  $V_{DD}$ , the power dissipation of the LM4570 increases (Figure 3). Under these conditions, the output devices operate in the saturation region, where the devices consume current in addition to the current being steered to the load, increasing the power dissipation. Power dissipation for typical motor driving applications should not be an issue since the most of the time the device outputs will be driven rail-to-rail.

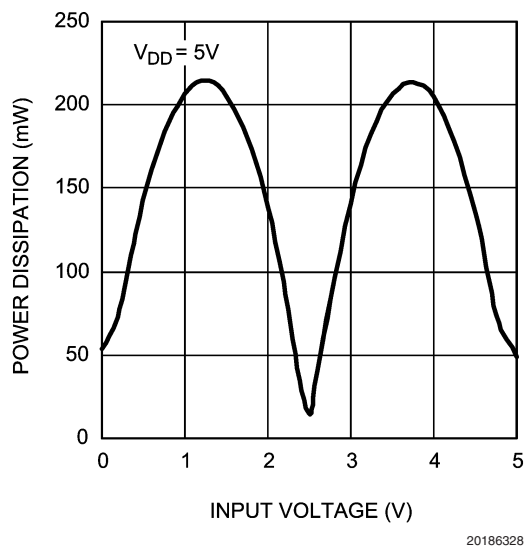


FIGURE 3. Power Dissipation vs. Input Voltage

### EXPOSED-DAP MOUNTING CONSIDERATIONS

The LM4570 is available in an 8-pin LLP package which features an exposed DAP (die attach paddle). The exposed DAP provides a direct thermal conduction path between the die and the PCB, improving the thermal performance by reducing the thermal resistance of the package. Connect the exposed DAP to GND through a large pad beneath the device, and multiple vias to a large unbroken GND plane. For best thermal performance, connect the DAP pad to a GND plane on an outside layer of the PCB. Connecting the DAP to a plane on an inner layer will result in a higher thermal resistance. Ensure efficient thermal conductivity by plugging and tenting the vias with plating and solder mask, respectively.

### POWER SUPPLY BYPASSING

Good power supply bypassing is critical for proper operation. Locate both the REF1 and  $V_{DD}$  bypass capacitors as close

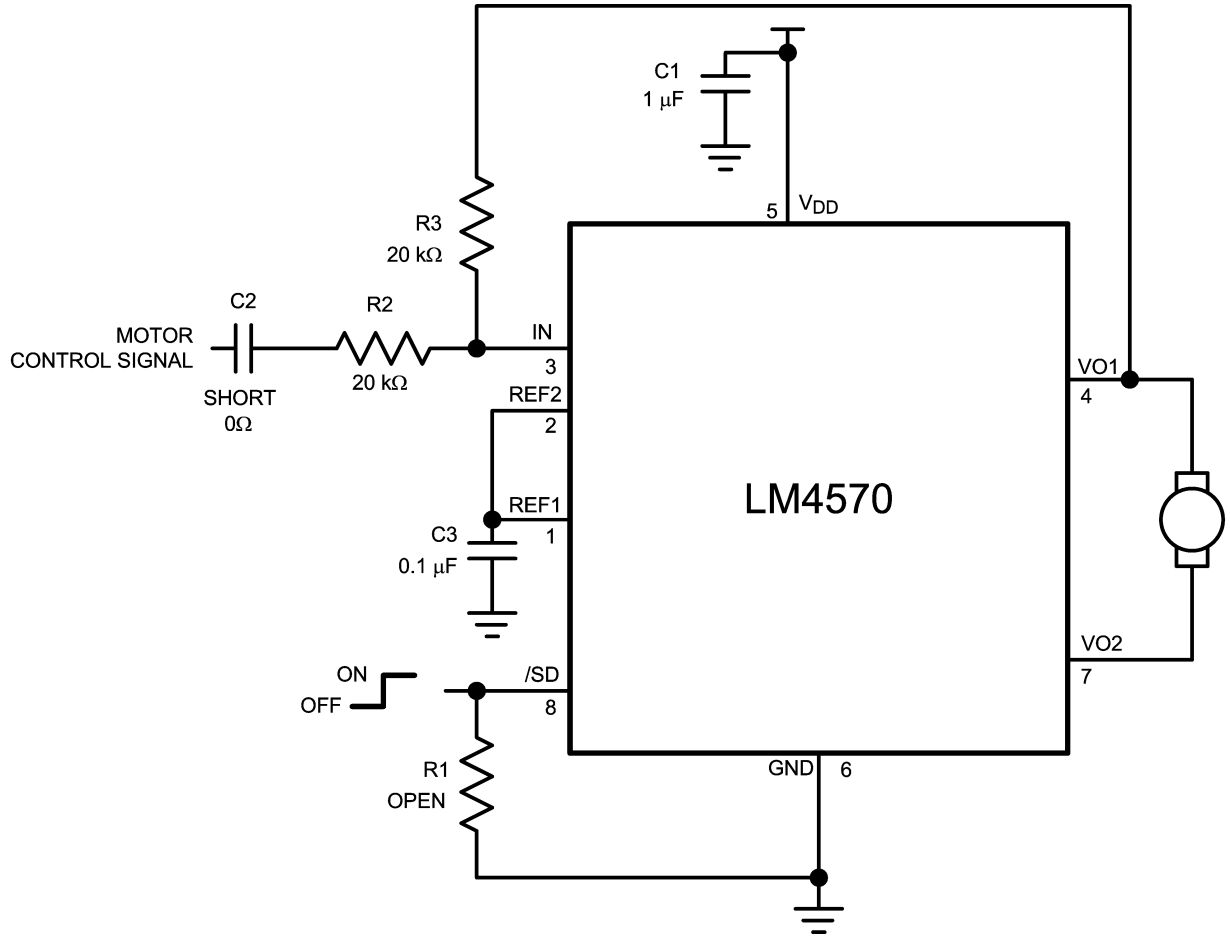
to the device as possible. Typical applications employ a regulator with a 10 $\mu$ F tantalum or electrolytic capacitor and a ceramic bypass capacitor which aid in supply stability. This does not eliminate the need for bypass capacitors near the LM4570. Place a 1 $\mu$ F ceramic capacitor as close to  $V_{DD}$  as possible. Place a 0.1 $\mu$ F capacitor as close to REF1 as possible. Smaller values of  $C_{REF1}$  may be chosen for decreased turn on times.

### SHUTDOWN FUNCTION

The LM4570 features a low power shutdown mode that disables the device and reduces quiescent current consumption to 0.1 $\mu$ A. Driving /SD Low disables the amplifiers and bias circuitry, and drives  $V_{REF1}$  and the outputs to GND. Connect /SD to  $V_{DD}$  for normal operation.

# Application Information (Continued)

## DEMO BOARD LAYOUT

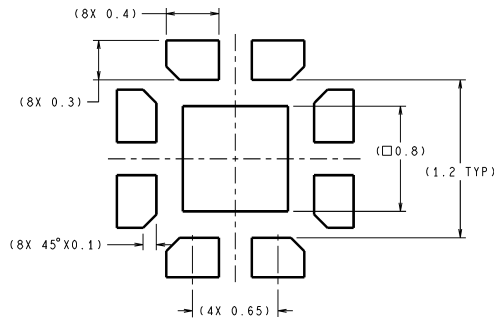


20186324

## Revision History

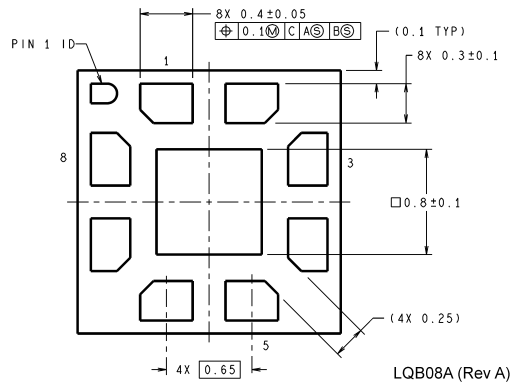
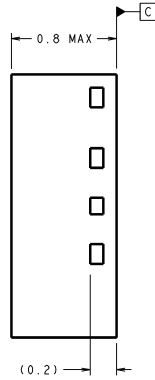
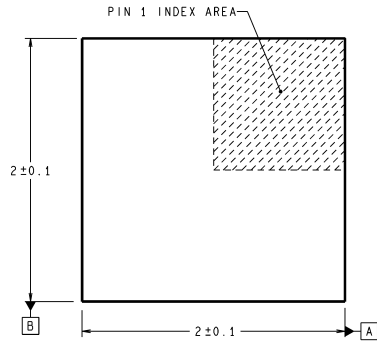
Rev	Date	Description
1.0	04/13/06	Initial release.

## Physical Dimensions inches (millimeters) unless otherwise noted



DIMENSIONS ARE IN MILLIMETERS

### RECOMMENDED LAND PATTERN 1:1 RATIO WITH PKG SOLDER PADS



LQB08A (Rev A)

**LLP Package**  
**Order Number LM4570LQ**  
**NS Package Number LQB08A**

National does not assume any responsibility for use of any circuitry described, no circuit patent licenses are implied and National reserves the right at any time without notice to change said circuitry and specifications.

For the most current product information visit us at [www.national.com](http://www.national.com).

### LIFE SUPPORT POLICY

NATIONAL'S PRODUCTS ARE NOT AUTHORIZED FOR USE AS CRITICAL COMPONENTS IN LIFE SUPPORT DEVICES OR SYSTEMS WITHOUT THE EXPRESS WRITTEN APPROVAL OF THE PRESIDENT AND GENERAL COUNSEL OF NATIONAL SEMICONDUCTOR CORPORATION. As used herein:

- Life support devices or systems are devices or systems which, (a) are intended for surgical implant into the body, or (b) support or sustain life, and whose failure to perform when properly used in accordance with instructions for use provided in the labeling, can be reasonably expected to result in a significant injury to the user.
- A critical component is any component of a life support device or system whose failure to perform can be reasonably expected to cause the failure of the life support device or system, or to affect its safety or effectiveness.

### BANNED SUBSTANCE COMPLIANCE

National Semiconductor follows the provisions of the Product Stewardship Guide for Customers (CSP-9-111C2) and Banned Substances and Materials of Interest Specification (CSP-9-111S2) for regulatory environmental compliance. Details may be found at: [www.national.com/quality/green](http://www.national.com/quality/green).

Lead free products are RoHS compliant.



**National Semiconductor**  
**Americas Customer**  
**Support Center**  
 Email: [new.feedback@nsc.com](mailto:new.feedback@nsc.com)  
 Tel: 1-800-272-9959

**National Semiconductor**  
**Europe Customer Support Center**  
 Fax: +49 (0) 180-530 85 86  
 Email: [europe.support@nsc.com](mailto:europe.support@nsc.com)  
 Deutsch Tel: +49 (0) 69 9508 6208  
 English Tel: +44 (0) 870 24 0 2171  
 Français Tel: +33 (0) 1 41 91 8790

**National Semiconductor**  
**Asia Pacific Customer**  
**Support Center**  
 Email: [ap.support@nsc.com](mailto:ap.support@nsc.com)

**National Semiconductor**  
**Japan Customer Support Center**  
 Fax: 81-3-5639-7507  
 Email: [jpn.feedback@nsc.com](mailto:jpn.feedback@nsc.com)  
 Tel: 81-3-5639-7560